

Institut Pierre Simon Laplace
des Sciences de l'Environnement Global

N . A . I

NOTES DES ACTIVITÉS INSTRUMENTALES
INSTRUMENTS - EXPÉRIENCES - OBSERVATIONS

The SAPHIR humidity sounder

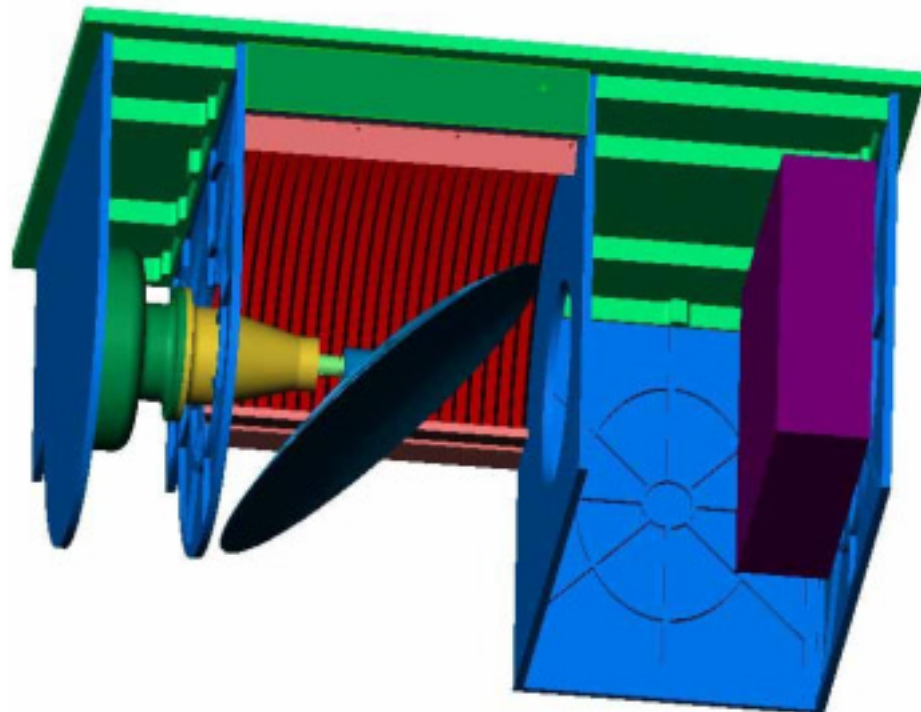
L. Eymard¹, M. Gheudin², P. Laborie¹, F. Sirou³, C. Le Gac¹, J.P. Vinson¹, S. Franquet³, M. Desbois³, F. Karbou¹, R. Roca³, N. Scott³, P. Waldteufel⁴

¹ *IPSL/CETP 10-12 avenue de l'Europe, 78140 Vélizy France*

² *LERMA, Observatoire de Paris, Paris France*

³ *IPSL/LMD Ecole Polytechnique, Palaiseau France*

⁴ *IPSL/SA, Verrières le Buisson France*



NOTES DES ACTIVITÉS INSTRUMENTALES DE L'IPSL

<http://www.ipsl.jussieu.fr/documentation/NAI/index.htm>

-
- | | |
|--------------------------------|--|
| • Directeur de la publication: | Jean JOUZEL |
| • Responsable éditorial: | Laurent MENUT [menut@lisa.univ-paris12.fr] |
| • Comité d'édition: | Hélène CHEPFER (LMD) |
| | Yves DANDONNEAU (LODyC) |
| | Cyrille FLAMANT (SA) |
| | Cyril MOULIN (LSCE) |
| | Alain PROTAT (CETP) |
| | Rémi ROCA (LMD) |
-

INSTITUT PIERRE-SIMON LAPLACE - <http://www.ipsl.jussieu.fr>

Université Pierre et Marie Curie	Université Versailles Saint Quentin
B 102 - T15 - E5	Collège Vauban
4, place Jussieu	47, boulevard Vauban
75252 Paris Cedex 05	78047 Guyancourt Cedex

The SAPHIR humidity sounder

L. Eymard¹, M. Gheudin², P. Laborie¹, F. Sirou³, C. Le Gac¹, J.P. Vinson¹, S. Franquet³, M. Desbois³, F. Karbou¹, R. Roca³, N. Scott³, P. Waldteufel⁴

¹ CETP 10-12 avenue de l'Europe, 78140 Vélizy

² LERMA, Observatoire de Paris, Paris

³ LMD Ecole Polytechnique, Palaiseau

⁴ SA, Verrières le Buisson

1. Introduction — objectives of the instrument :

The SAPHIR (Sondeur Atmosphérique du Profil d'Humidité Intertropicale par Radiométrie) instrument is proposed by IPSL and Observatoire de Paris as part of the MEGHA/TROPIQUES payload, to study the vertical distribution of water vapour in the tropical troposphere, with two particular objectives:

- analysis of the diurnal cycle of the water vapour distribution, to evaluate the vertical transports associated with convective structures at the mesoscale and the large scale, and to understand the scale to scale interactions in the meridional flux;
- study of the role of the space-time distribution of humidity on the development of deep convection.

The measurements will help evaluating the vertical transports associated with convective structures at the mesoscale and the large scale, understanding the scale to scale interactions in the meridional flux, and studying the role of the space-time distribution of humidity on the development of deep convection. An additional aim is to improve parameterizations of humidity related processes in AGCM.

The need of such an instrument on the Megha / Tropiques platform was driven by the scarcity of local measurement in tropical latitudes :

- Existing and other future sounders are in polar orbit, leading to a complex combination of heterogeneous data
- The polar platform sensors will provide an insufficient sampling in the tropics for investigation of convective system life.

2. Scientific requirements for humidity sounding in the tropics:

2.1 Humidity sounding

The atmospheric opacity spectrum (Figure 1) shows a first water vapour absorption line centred at 22.235 GHz, and a second one at 183.31 GHz (pure rotation line). Between these two lines, the water vapour continuum slowly increase absorption by the atmosphere with frequency. Two oxygen lines appear also in this frequency range, which can be used for temperature profiling. The first water vapour line is too low to permit profiling, and its partial transparency is used to obtain the total

columnar content. The second line is high enough to enable sounding in the first 10 — 12 km of the atmosphere. The sounding principle consists of selecting channels at different frequencies inside the absorption line, in order to obtain a maximal sensitivity to humidity at different heights. Previous microwave sounders are SSMT2 and AMSUB, which are operational instruments, have 3 channels within the 183.31 GHz absorption line (at -1, -3 and -7 GHz), and two window channels, at 150 and 89 GHz. These additional channels give information on the surface and near surface. The SAPHIR sounder is based on the same general principle.

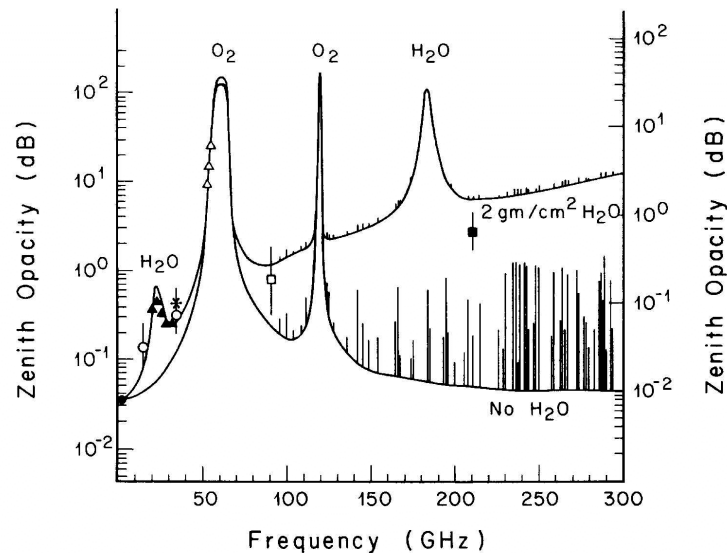


Figure 1°: Atmospheric opacity for a US standard atmosphere. The lower line is with no water vapour, and the upper line is for a 20 kgm^{-2} WV content (assuming an exponential decrease with height). From Waters, 1976.

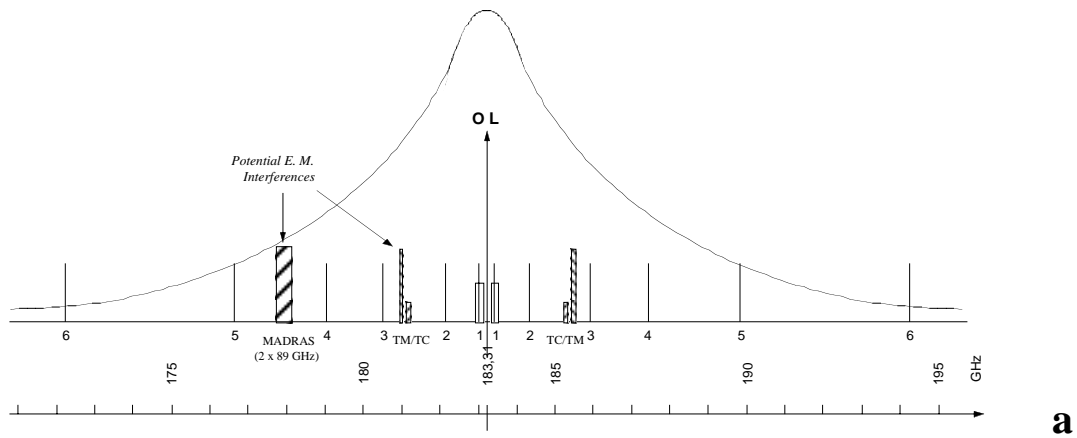
2.2 SAPHIR specifications :

The SAPHIR specifications are based on the following constraints :

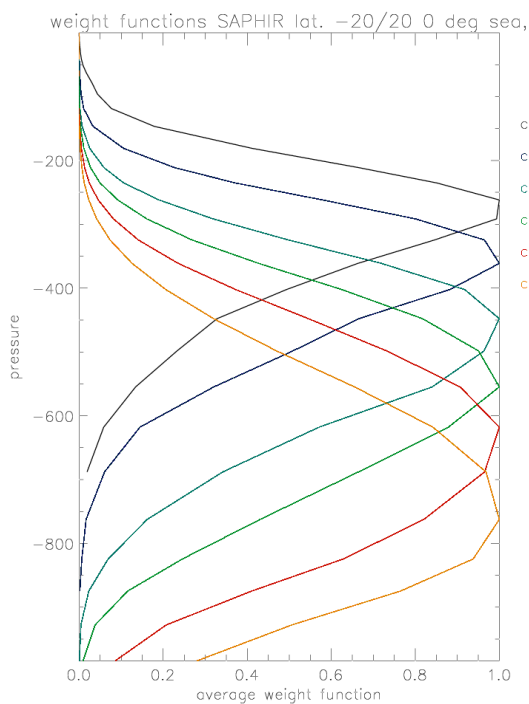
- as many layers as possible within the WV absorption line centered at 183.31 GHz
- horizontal resolution 10km (diameter at nadir)

Constraints on the mass and power, as well as existing experience with near similar sensors (AMSU-B) led to the SAPHIR specifications. The mass and power constraints suggested us to propose to enlarge the whole bandwidth to 183.31 – 12 GHz, in order to get information from the low atmosphere, without adding a specific receiver for a window channel (e.g. 150 GHz for AMSU-B).

Phase A scientific studies were performed to optimize the location of channels, accounting for polluted bands (telemetry antenna emission at about 2 GHz, as well as avoiding using the harmonic of the 89 GHz channel of Madras). Figure 2 shows the resulting channel locations and corresponding weight functions, for a mean tropical atmosphere, over sea, at nadir.



a



b

Figure 2 : *a* : Location of the 6 SAPHIR channels with respect to the centre of the absorption line. All channels are double band, to increase the radiometric sensitivity. The two polluted bands are indicated. *b* : weight functions of the 6 channels for a mean tropical atmosphere, over sea, at nadir. Channels are numbered as shown on figure 2a.

Other preliminary studies allowed us to show that it is not necessary to have a temperature profiler on board the platform, thanks to the weak sensitivity of the SAPHIR channels to temperature in the tropical latitudes.

The final selection of channels was then performed by first building a learning data base, consisting of meteorological profiles (TIGR data base), and brightness temperatures simulated by running a radiative transfer model on the profiles ; then a neural network inversion scheme was applied to retrieve the humidity profile. The method is described in the paper by Franquet et al, 2001. The best retrieved profiles were obtained using the channels shown in table 1.

Channel N _i .	Central frequencies (GHz)	Bandwidth (MHz)	radiometric sensitivity (estimated by calculation)	polarisation
S1	183,31 – 0.20	200	1,82 K	V
S2	183,31 – 1.10	350	1,01 K	V
S3	183,31 – 2.70	500	0,93 K	V
S4	183,31 – 4.00	700	0,88 K	V
S5	183,31 – 6.60	1200	0,81 K	V
S6	183,31 – 11.00	2000	0,73 K	V

Table 1 : Channel selection for SAPHIR on board Megha/Tropiques. The radiometric sensitivity estimate is detailed in section 3.3. V polarisation means that the polarisation vector (E field) at nadir is parallel to the scan direction.

3. Instrument design

The instrument has been designed to respect the Megha/Tropiques general requirements concerning mass, power and data rate, in addition to the scientific requirements, described above. The SAPHIR instrument is a total power type microwave radiometer based on an heterodyne receiver. A general overview of the instrument is shown in figure 3, and we give in the next sections the main features of the instrument :

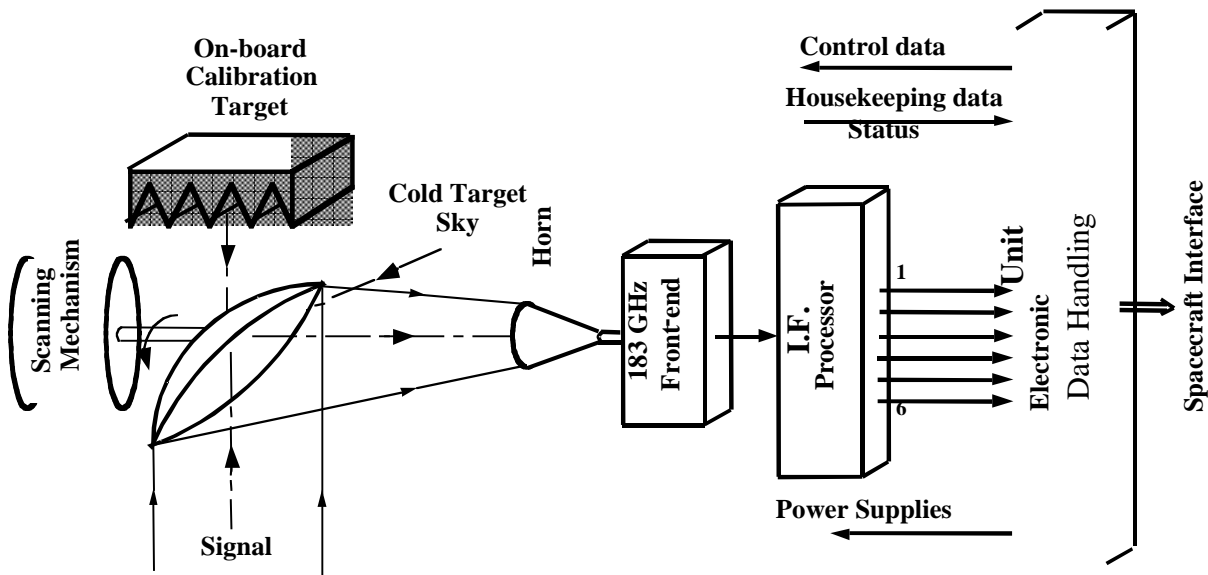


Figure 3 : SAPHIR block diagram, showing the main parts of the instrument, from the antenna (on left) to the satellite interface (to telemetry).

3.1 Antenna

The antenna unit includes the reflector, the shroud, the calibration target and the scanning mechanism.

Every scan period, the antenna reflector will perform a entire rotation. A part of the period will be devoted to the collection of earth atmosphere temperature data. During the scan period, when the reflector is properly oriented, acquisition of cold sky temperature measurements will be done. During an other part of the scan period, acquisition of hot target temperature measurements will also be performed.

The parabolic reflector, inclined at 45 degrees with respect to the rotation axis, corresponds to a projected aperture of diameter 200 mm. An integral shroud turns with the main reflector to protect the internal target from environment thermal radiation. The received signal is reflected to the high frequency front end as shown in figure 4.

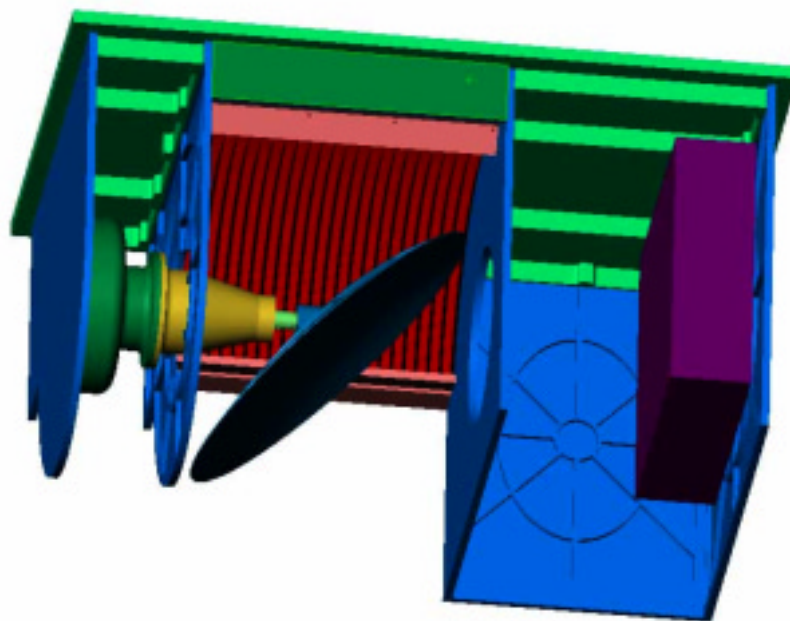


Figure 4 : artist s view of a cross section of the SAPHIR instrument, showing the scanning mechanism, and the antenna.

3.2 Receiver

The millimeter Front End is composed of a horn, a mixer, a local oscillator, and a wide band low noise amplifier. The horn will focus the free space radiation collected by the antenna reflector. The mixer associated with the local oscillator will make the down conversion of the signal. The resulting signal will be amplified by the low noise amplifier.

The intermediate frequency processor will de-multiplex this wide band signal into 6 signals corresponding to the 6 channels of SAPHIR. Moreover, the IF processor will perform amplification and filtering for each channel. After amplification, analog power detection of the signal is performed for each channel.

The detailed block diagram of the Front End and Intermediate Frequency Processor is shown in figure 5.

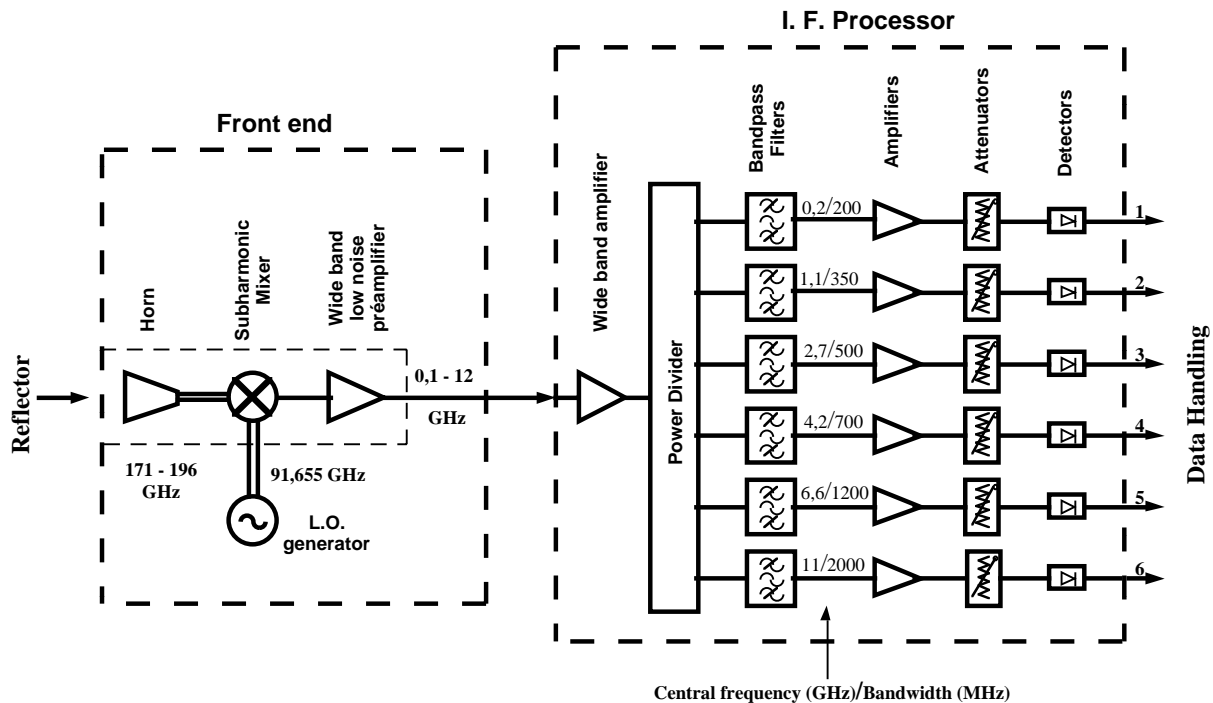


Figure 5 : Functional block diagram of the SAPHIR receiver

After down-conversion, IF demultiplexing, detection and integration, it is transmitted to the electronic unit, which also controls the scanning mechanism, and measures the calibration target temperature. Calibration is achieved by rotating the reflector at every scan to the hot load and to the sky. The gain variation between two calibration must be lower than $1 \cdot 10^{-3}$ dB to get a 0.5K accuracy on the measurement. This requires that the temperature gradient within the IF module must remains lower than 2deg.C/minute.

The data handling and data processing functions will include the following :

- Management of the instrument TM/TC
- Clock generation and synchronisation of the instrument
- Sampling and formatting of radiometer data : the 6 video data flows will be sampled using Analog to digital converters and integrated before being processed for format generation. Radiometer Data will be time tagged. Ancillary data will be added to the data stream.
- Transfer of radiometer data to the platform : the data streams will be transferred to the mass memory located in the platform through the 1553 bus interface.

3.3 Radiometric sensitivity

The radiometric resolution or the brightness temperature sensitivity ΔT is defined as the smallest change in brightness temperature at the instrument collecting aperture that can be detected by the radiometer. This parameter is also named noise equivalent brightness temperature difference NEDT . The radiometric sensitivity can be expressed by the following formula :

$$\Delta T = T_{sys} \chi \sqrt{\frac{1}{B\tau} + \left(\frac{\Delta G}{G}\right)^2} + X^2$$

with B = channel pre - detection bandwidth, τ = integration time, G = receiver gain, $\Delta G/G$ gain stability between calibration, $T_{sys} = T_{antenna} + T$ receiver equivalent temperature collected at the receiver input. X corresponds to the quantization effects and noise contributions on analog signals before digital encoding.

An important requirement is that the sensitivity to humidity be sufficient. Preliminary simulations showed that a 1K error corresponds to an uncertainty of 10% in humidity. Unfortunately, the width of the first channel (close to the line centre) cannot be enlarged, making impossible to reach this value. Table 1 gives the radiometric requirements for a *Tant* brightness temperature of 300 K. It drives the integration time in order to keep the radiometric sensitivity within the scientific requirement (assuming that the absolute calibration will not add any significant varying error), to a nominal integration time for all the channels is 7,34 ms.

3.4 Field of view : antenna rotation and footprint geometry

To obtain a large swath coverage when observing the scene of interest, the sampling strategy combines the satellite motion (along track) and the across track scanning of the narrow beam of the instrument antenna.

The antenna main beam shall perform a Nadir scanning over the swath in the cross-track direction at a constant periodicity of 1,64 s (about 36.6 revolutions per minute). This value is derived from satellite ground track speed, footprint size requirement with 0 to 10% overlapping. The surface will be observed over the swath with an incidence angle less than 55_i , to keep it smaller than the Brewster angle. It leads to a swath of about 1700 km. Figures 6 and 7 shows the scanning geometry and resulting footprints.

In order to comply both with the integration time required to keep the radiometric sensitivity small enough, and with the scan to scan period, it is necessary to slow the motor rotation during the earth view, and accelerating it while observing the calibration targets. Due to technical restrictions (the acceleration of the motor rotation is limited), we have chosen to scan the Earth between Nadir - 42_i and Nadir + 42_i .

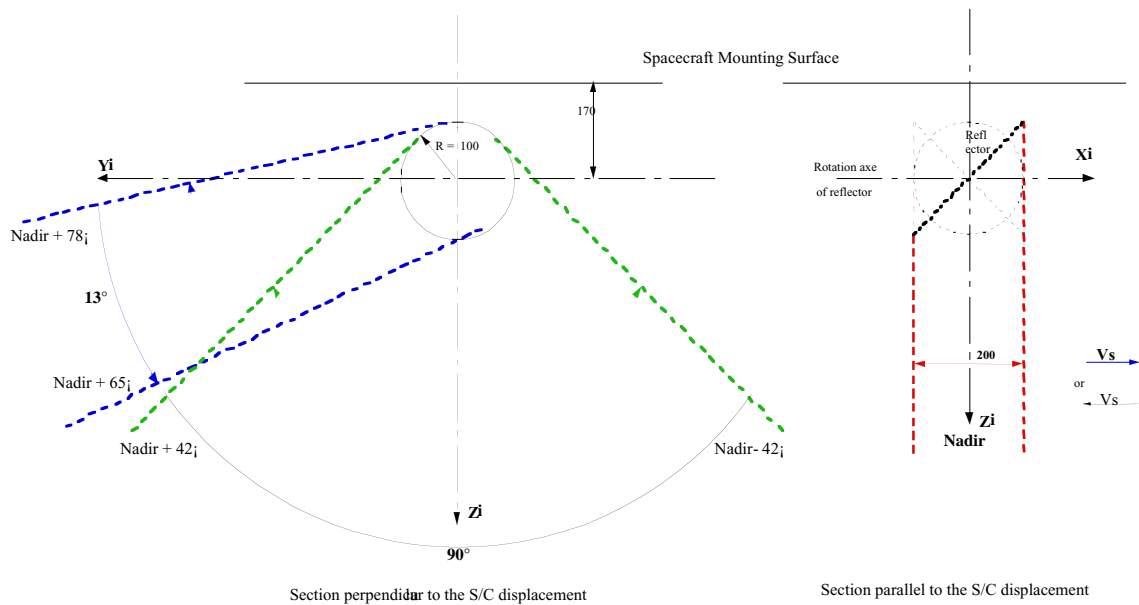


Figure 6 : scanning geometry within the reflector rotation, showing the earth field of view and the cold sky view. The X axis is parallel to the satellite track, and Z in downward to the earth. The view of the cold sky is above the earth limb and below the solar panel.

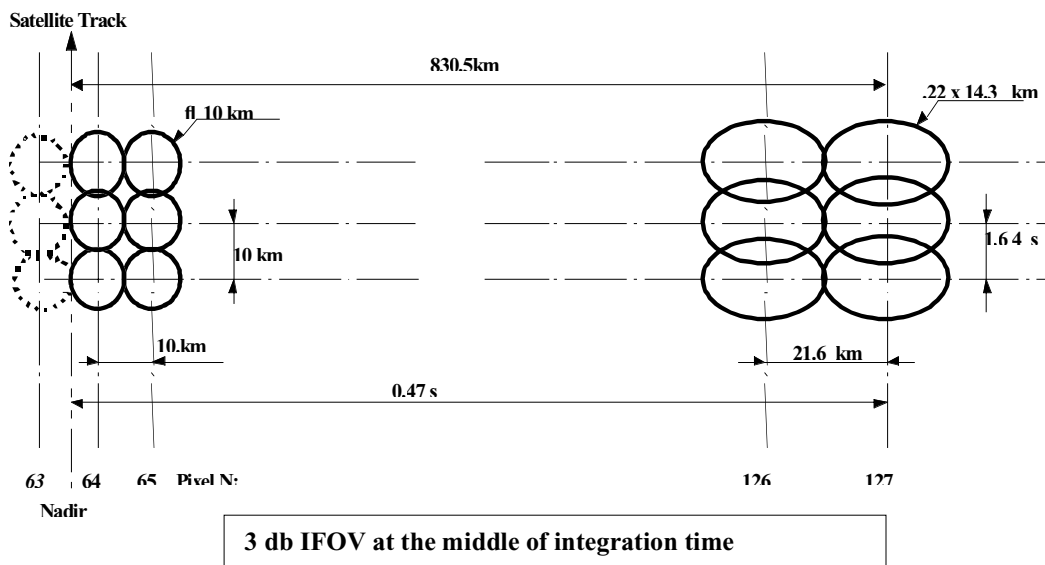


Figure 7 : footprints from nadir to swath limit (half swath). The footprint shape becomes elliptic due to the increased incidence angle. 3 successive scans are shown here.

4 Data processing and scientific use :

The geophysical data processing will consist of retrieving the humidity profiles in 6 layers between the surface and 100 — 200 hPa. Due to the instrument specifications, the data processing will be based on SAPHIR measurements and auxiliary data :

- a temperature profile will be used (from a global meteorological model, as ECMWF), as an input data. A preliminary sensitivity study has shown that a rather weak accuracy on this profile is sufficient ;
- the precipitable water (water vapour total content), derived from SAPHIR itself and from MADRAS (over ocean at least), will be used to optimize the distribution of retrieval layers in the vertical (the weight functions shift vertically up or down depending on the humidity content of the atmosphere).
- The major problem lies in the cloud detection and identification. A first method to get this information is to perform cloud classifications on the geostationary satellite imagers. Such classification (see S ze and Desbois, 1987) would provide the cloud type and top altitude. In case of low clouds (boundary layer), upper layer channels will be processed to get the humidity profile above clouds. In case of high ice clouds (cirrus), it is expected that the SAPHIR data can be processed, assuming that the cirrus effect can be accounted for. In case geostationary satellite cannot be processed, an alternative method should be to use MADRAS cloud liquid water content as an cloud detector (but with no clear indication of the cloud type). Note however that the MADRAS low frequency channels have a 40 km resolution, compared with the 10km nadir SAPHIR footprint.

Combined use of SAPHIR data with MADRAS and Scarab will then be stronger in science analyses, as well as with MSG (as suggested in figure 8) : mesoscale water vapour around clouds, possibly information about ice scattering at the cloud top, contribution of the scene analysis for Scarab. Direct coupled retrievals of MADRAS and SAPHIR are also envisaged.

An alternative procedure for retrieving water vapor information from the SAPHIR sounder is also envisioned. It consists in the retrieval of weighting function weighted mean relative humidity from the individual channels. Such an approach is emphasized in Roca et al. (2001b, this issue). While such a layer products will not meet the profile inversion requirements in terms of vertical localisation, it offers a complementary exploitation of the sounder for process oriented analysis. Furthermore, it will be less influenced by the presence of low level clouds, as the upper tropospheric humidity can be retrieved independently of what is below.

In addition to humidity profile retrieval, SAPHIR will be used tentatively to complement MADRAS for cloud characterization, following some recent works which have evidenced the interest of high frequencies for ice clouds (Bennartz and Bauer, 2001, Bennartz et al, 2001).

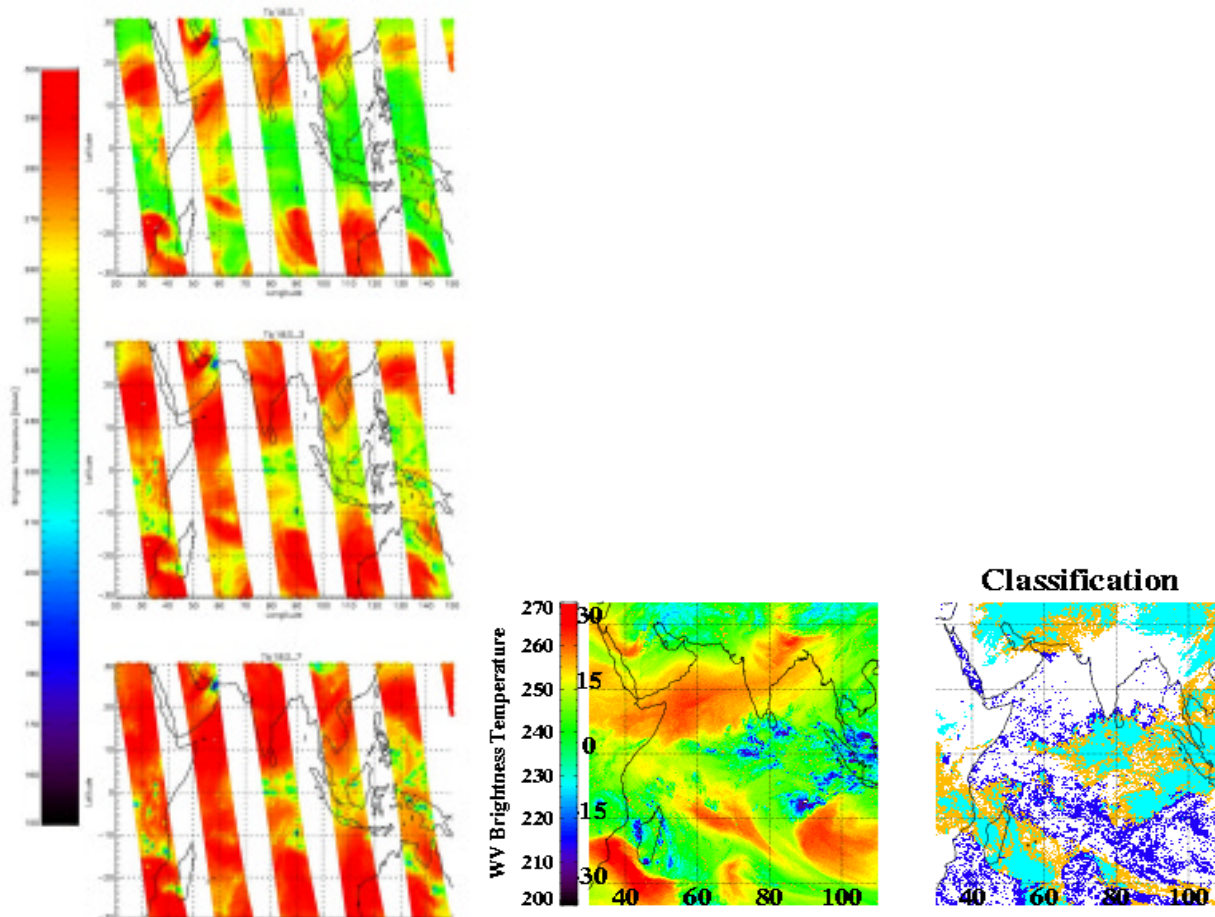


Figure 8 : SSMT2 profiling channels (left) and Meteosat water vapour channel and cloud classification (right). Example of data obtained during the Indoex field experiment in 1999, to evidence the interest of a combined use of sounder and geostationaries to map and monitor the 3D water vapour field from the small scale (convective systems) to large scale (intertropical variations). (from Roca et al., 2001)

5 SAPHIR sensitivity to surface

The SAPHIR retrieval method will require combination of SAPHIR brightness temperatures and external information. The useful data include MADRAS measurements and METEOSAT derived cloud information. However, such combination will require an accurate co-location of footprints. In addition, a good knowledge of surface emissivity is necessary to retrieve the low level humidity. This is already achieved over ocean, using a sea surface emissivity model, but no model exists to date for high frequency over land. For all these reasons, it is important to evaluate the SAPHIR measurements sensitivity to surface.

The SAPHIR instrument is highly similar to AMSU-B sounder. Both instruments have channels in the water vapour line, but AMSU-B has also two window channels, at 89 and 150 GHz to deeply sense through the low atmosphere surface and near surface. The SAPHIR lowest channel : 183.31 ± 11 is between the AMSU-B 150 GHz window channel and the lowest sounding channel (183.31 ± 7 GHz), which nearly corresponds to SAPHIR channel 5 (see figure 2b).

AMSU-B data were used to evaluate the sensitivity of the SAPHIR channel 6 to surface. The data were obtained from the NOAA Satellite Active Archive. Only AMSU-B data relative to the African Atlantic side in dry and cloud free conditions were selected. Figure 9 shows the AMSU-B brightness temperature for three channels (89, 150 and 183+/-7 GHz respectively) for day 20/03/2001 already identified as clear and almost dry. The identification was done by using METEOSAT7 images library. For selected data, sensitivity to surface for all channels is visually confirmed.

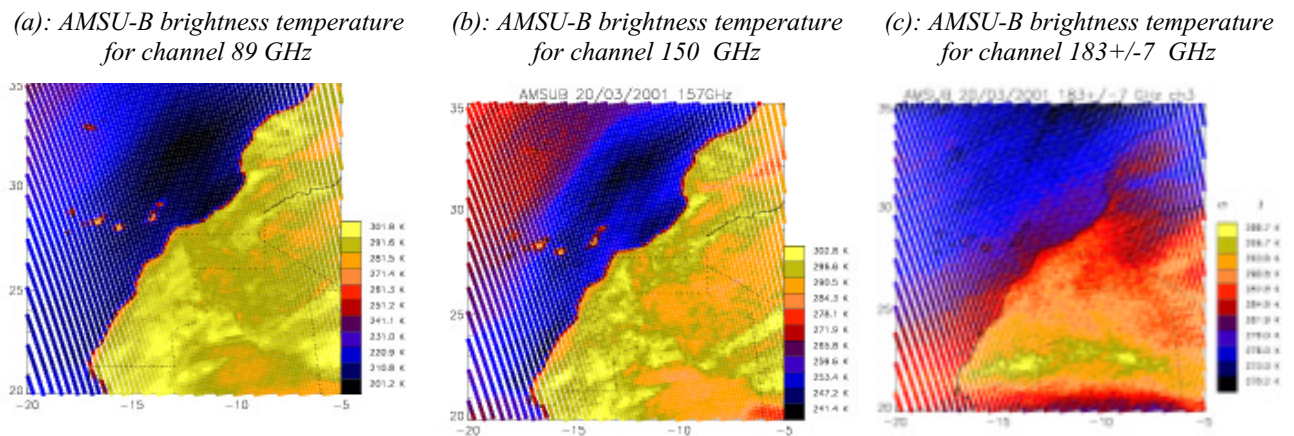


Figure9: AMSUB brightness temperature obtained for day 20/03/2001 over the north African Atlantic side and for : (a) channel 89 GHz, (b) channel 150 GHz, (c) channel 183+/-7 GHz.

Based on a threshold method, a landmark mask has been established using the 89 GHz channel data, highly sensitive to surface. The method consists of fixing a threshold interval that identify land and sea pixels. The treatment was applied to four days of data over the north African Atlantic side : 10/02/2001, 11/02/2001, 12/02/2001 and 21/03/2001. These days data were selected as could free and almost dry. Figure 9(a) shows the obtained landmark line for day 21/03/2001.

Once the landmark treatment applied on the data set, we calculated the sea land gradient between the landmark and the adjacent lines (one pixel apart) (see lines “trait-1” and “trait+1” in figure 9a). The gradient between the pixels located 4 pixels apart of the landmark was also calculated (see lines “trait-4” and “trait+4” in figure 10(a)). Figures 10(b),10(c) and 10(d) show the obtained gradients for channels 89 GHz, 150 GHz and 183+/-7 GHz respectively. The sea land gradient maximum is about 12 K for channel 183.31+/-7 GHz, around 40 K for channel 150 GHz and 64 K for channel 89 GHz. The two first channels frame the SAPHIR channel 6.

This analysis make us confident that in clear and dry atmosphere, SAPHIR channel 6 can detect surface emissivity contrasts better than the 183.31+/-7 channel and worse than the 150 GHz channel. It will allow us to control the footprint location, by selecting subtropical desert-like areas. In other areas and climate conditions, the channel sensitivity to surface emissivity will be much smaller. This will help us to elaborate an adequate SAPHIR retrieval method. The low level humidity retrieval requires a good knowledge of surface emissivity. We intend to use a surface emissivity database derived from AMSU-B data, following he method described by Prigent et al, 2000, which was applied to SSMI data.

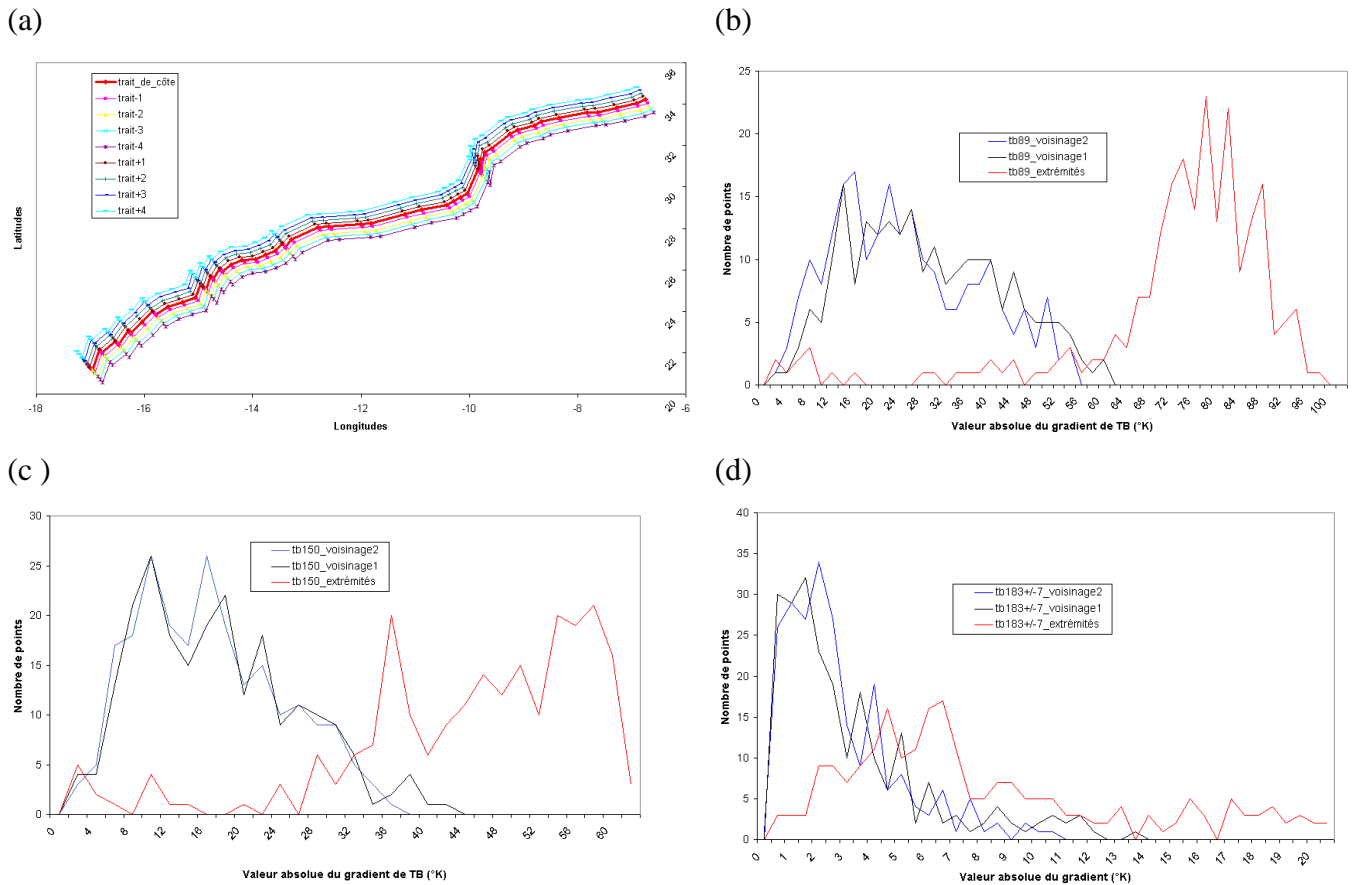


Figure 10°: (a) The landmark line (red colour) obtained by the 89 GHz threshold method for day 21/03/2001. The curves trait-1 and trait+1 are in the immediate vicinity of the landmark, then Curves trait-2 and trait+2 and so on. AMSU-B brightness temperature in the vicinity of the landmark (black and blue curves) and at the extremities of the landmark (red curve) for (b) channel 89 GHz, (c) channel 150 GHz and (d) channel 183 +/- 7 channel.

6 Conclusions

The SAPHIR humidity sounder is designed to provide the humidity profile in the tropical latitudes, in complement of MADRAS and SCARAB measurements. Its specifications have been chosen in order to get the humidity profiles with acceptable accuracy and horizontal / vertical resolution, providing instrumental constraints due to accommodation on the platform, and technical feasibility. The specifications described in section 3 and summarized in table 2 will be better defined during phase B. In particular, some critical issue have to be better examined :

- front end performances and low noise amplifier total bandwidth
- electronic unit design, including data compression to keep the data rate within the Megha/Tropiques requirements
- ground segment definition and preliminary design

Some breadboards are made to check if the technical performances are compliant with the requirements (antenna reflector, hot load, mixer and low noise amplifier, IF processor limited to 3 channels, electronic unit).

The other major field of activity in the next years will be the geophysical data processing to derive humidity profiles in clear and partially cloudy situations. AMSUB will serve as simulator to prepare the SAPHIR data processing. First radiative transfer simulations will be performed to study the sensitivity of AMSUB/SAPHIR channels to land surface emissivity variations and to clouds. Then the data processing strategy will be established in the framework of the Megha/Tropiques global scientific objectives.

Central frequency	183.31 GHz
I.F. bandwidth	- 10 GHz (goal: - 12 GHz)
Frequency resolution	6 channels from 200 MHz to 2 GHz
Total frequency stability	± 20 MHz
Sensitivity	From $\dagger 2$ K (200 MHz) to $\dagger 1$ K (2 GHz)
Linearity (over the dynamic range)	10^{-4}
Calibration accuracy	$\dagger 2$ K (2 different radiation targets)
Swath	> 1500 km (incidence angle 0 to 50 j)
Spatial resolution (nadir, - 3 dB)	$\dagger 10$ km
Beam efficiency	95% in 2.5 lobe at -3 dB
Side lobes	$\dagger - 30$ dB / mainlobe center
Data rate	$\dagger 8$ kb/s
Mass	$\dagger 20$ kg
Energy	$\dagger 30$ W
Total pointing accuracy	< 0.07 j over 1 second, < 0.5 j over 10 minutes

Table 2 : SAPHIR main requirements

References :

- Sze and Desbois, 1987, cloud cover analysis from satellite imagery using spatial and temporal characteristics of the data *Journal of climate and applied meteorology* 26 (2): 287-303
- Franquet et al, 2001, Simulation of radiative transfer in the SAPHIR and AMSU channels in the perspective of water vapor profiles retrievals, Second Megha-Tropiques Scientific Workshop, July, Paris, France, this issue.
- Bennartz, R., A. Thoss, A. Dybbroe, and D. B. Michelson, 2001: Precipitation analysis using the Advanced Microwave Sounder Unit in support of nowcasting applications. *Meteor. Appl.*, in press.
- Bennartz, R. and P. Bauer, 2001: Sensitivity of microwave radiances at 85-183 GHz to precipitating ice particles. *Rad. Sci.*, submitted.
- C Prigent, J.P. Wigneron and J.R. Pardo-Carrion: Frequency and land surface microwave emissivities: can we estimate SSM/T and AMSU emissivities from SSMI emissivities ?, *IEEE transactions on geoscience and remote sensing*, VOL. 38, NO. 5, September 2000.
- Roca R, M Desbois, L Picon and H Brogniez, High resolution observations of free tropospheric humidity from METEOSAT-5, Second Megha-Tropiques Scientific Workshop, July, Paris, France, this issue, 2001. R. Roca, M. Viollier, L. Picon and M. Desbois, A multi satellite analysis of deep convection and its moist environment over the Indian Ocean during the winter monsoon. *J. Geophys. Res.*, in press, 2001.

Directeur de la publication: **Jean Jouzel**, Directeur de l'IPSL

Présentation de l'IPSL:	<i>IPSL overview:</i>
<ul style="list-style-type: none"> • L'Institut Pierre-Simon Laplace (IPSL) est une fédération de recherche qui regroupe six laboratoires en région francilienne (CETP, LBCM, LSCE, LMD, LODYC, SA). • L'IPSL est sous la tutelle conjointe du Centre National de la Recherche Scientifique, des Universités Pierre et Marie Curie et Versailles Saint-Quentin, du Commissariat à l'Energie Atomique, de l'Institut de Recherche pour le Développement, de l'Ecole Normale Supérieure et de l'Ecole Polytechnique. • L'IPSL remplit une triple mission de recherche, d'enseignement et de service d'observation. L'étude des différentes composantes de l'environnement terrestre (océan, atmosphère, biosphère, cryosphère, surfaces continentales) constitue l'objectif central de recherche de l'IPSL. Cette étude va de l'échelle locale à l'échelle globale, elle concerne l'évolution passée et future de la planète Terre, l'étude de l'environnement ionisé de la Terre et celle des environnements planétaires. Elle se fonde sur une approche incluant développements expérimentaux, observation et modélisation. • L'IPSL et ses laboratoires sont rattachés aux Ecoles Doctorales "Sciences de l'Environnement" et "Astrophysique" d'Ile-de-France. 	<ul style="list-style-type: none"> • <i>The Institut Pierre-Simon Laplace (IPSL) is a federative research institute that gathers six laboratories in the Paris area (CETP, LBCM, LSCE, LMD, LODYC, SA).</i> • <i>IPSL is under the joint tutorship of CNRS (France's major basic-research organization), CEA (France's atomic energy research center), IRD (France's cooperative research and development agency) and France's four leading institutions of higher learning in the sciences: University Pierre et Marie Curie, University Versailles Saint-Quentin, Ecole Normale Supérieure and Ecole Polytechnique.</i> • <i>The missions of IPSL include research, teaching and scientific monitoring. The research programmes conducted within the Institute include the study of the main components of the Earth's environment from the local to the global scale (ocean, atmosphere, biosphere, cryosphere, continental surfaces). These research concern the past and future evolution of the planet Earth, the study of the ionised environment of the Earth and of planetary atmospheres in the solar system. These scientific activities are based on experimental developments, observation and modelling.</i> • <i>The Institut Pierre-Simon Laplace and its laboratories are part of the Graduate Schools "Environmental Sciences" and "Astrophysics" of Ile-de-France.</i>
IPSL - UPMC Case 102 4, Place Jussieu 75252 Paris Cedex 05 - France	IPSL - UVSQ 23, rue du Refuge 78035 Versailles - France

<http://www.ipsl.jussieu.fr>

Laboratoires:	
<ul style="list-style-type: none"> • Centre d'Etudes des Environnements Terrestre et Planétaires [CETP] 	http://www.cetp.ipsl.fr
<ul style="list-style-type: none"> • Laboratoire de Biochimie et Chimie Marines [LBCM] 	http://www-lsce.cea.fr
<ul style="list-style-type: none"> • Laboratoire des Sciences du Climat et de l'Environnement [LSCE] 	http://www.lmd.jussieu.fr
<ul style="list-style-type: none"> • Laboratoire de Météorologie Dynamique [LMD] 	http://www.lodyc.jussieu.fr
<ul style="list-style-type: none"> • Laboratoire d'Océanographie Dynamique et de Climatologie [LODYC] 	http://www.aero.jussieu.fr
<ul style="list-style-type: none"> • Service d'Aéronomie [SA] 	http://www.aero.jussieu.fr